

- o Flat Cable Connectors SEK
- o *har-mik®*
- o D-Sub
- o InduCom

Applications



Product details

09 12 005 3001 Male insert, Han Q 5/0

Series	Han® Q
Number of contacts	5 poles + PE
Size of hood/housing	Han® 3 A
Termination	Crimp termination
Insert material	Standard material
Contacts	Order separately
Electrical data	16 A 230/400 V 4 kV 3
Electr. data for signal area	without signal contacts
RoHS compliant	Yes

Available Downloads

Title	Format	
Data sheet	PDF	download
CAD data 2D	DXF	download
CAD data 3D	IGES	download

Inquiry

5

4

3

2

1

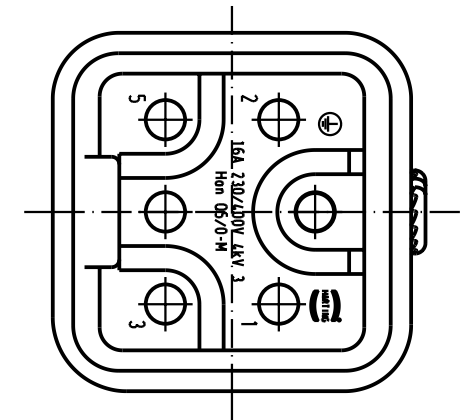
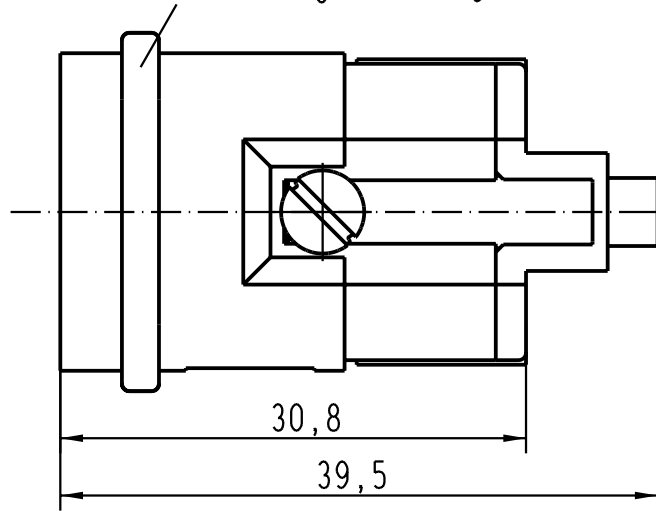
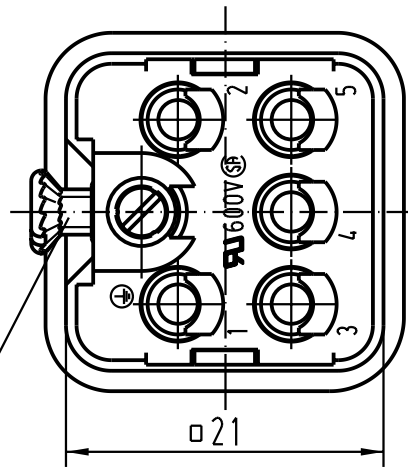
D

C

B

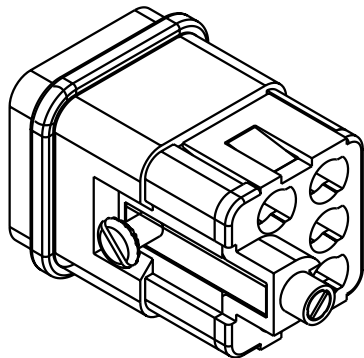
A

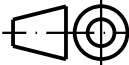
Dichtung/ sealing



Senkschraube M3x6-4.8
lose beigelegt

countersunk screw M3x6-4.8
seperated enclosed



 All Dimensions in mm Original Size DIN A 4			Techn. Character.			Nicht tolerierte Masse/ Free size tolerances		
				Dat.	Name	Massstab/ Scale		
			Detail.	02.08.94	ZILK	2:1		
410629	28.11.03	ML	Insp.		Herb			
410228	18.10.02	Loe.	Stand.			Hon Q5/0-M Stifteinsatz/ male insert		
29227	04.04.01	ROH						
25570	15.03.99	KR				TB 09 12 005 3001 Sub.		
Mod.	Dat.	Name	HARTING Electric GmbH & Co. KG D-32339 Espelkamp					
						Blatt/ page		